

S39 2.4G

3 CHANNEL REMOTE CONTROL HELICOPTER



USER GUIDE AND MANUAL

Specifications:

Item No.: S39

Function: up/down, forward/backward, turn left / Right, With GYRO /Flash lights

Battery: 3.7V 500mAh Li-poly

Charging time: About 100 minutes - USB Charging

Flying time: More than 6 minutes

Controlling distance: Inside = 30 meters

Product Size: 362 x 57 x 1500mm

Frequency: 2.4Ghz

Channels: 3

Required: 4 x AA Batteries for transmitter



INDOOR USE



3 CHANNEL



2.4G REMOTE CONTROL



GYRO SYSTEM



FLASH LIGHT



H/L SPEED FUNCTION



BUBBLE PROTECTION



14+

AGES

SYMA

Please ensure you read and fully understand this manual before operating.

INTRODUCTION

Thank you for purchasing this SYMA Radio Controlled helicopter. To ensure you enjoy many hours of safe flight with this model, please ensure you read and fully understand the manual before operating. Please retain this manual for future reference.

CAUTIONS

This model is not a toy. Used incorrectly this model may cause harm or injury. Please pay attention to your flying environment and ensure you avoid built up areas and crowded spaces

Keep your fingers away from all the moving parts.

Ensure you keep long hair and loose clothing away from the spinning blades.

Do not use your model in the rain and avoid using near water.

This model is intended for use by people aged 14+.

Charging of this model should be carried out under adult supervision.

Do not mix old and new batteries or types.

Always turn off the helicopter and transmitter when not in use.

Remove the batteries if the model is not to be used for a long time.

Ideally, store the model and the transmitter back in the original box.

PRE FLIGHT

Before setting off, please take time to follow the pre flight steps below.

Always ensure that the battery in the helicopter is fully charged and connected.

Ensure the batteries in the transmitter are in good health with plenty of power.

Visually check the helicopter to ensure there is no debris or other obstructions in the gears, and all other moving parts.

Check the blades to ensure they are free from damage.

Spin the main head by hand to ensure it spins freely.

PROTECTION

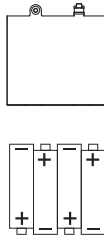
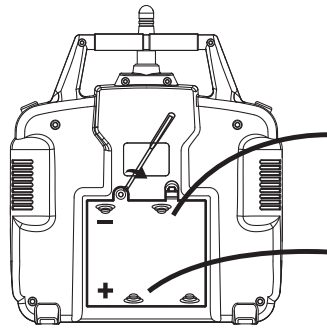
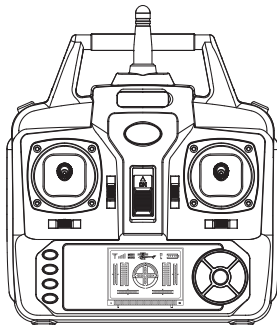
This helicopter has a built in Low Voltage protection circuit which will not allow you to use the model if the voltage in the battery drops to low. This helps to reduce accidents caused by the battery running low whilst in flight.

CONTENTS

- Helicopter
- Transmitter
- Tail blade
- Instruction manual
- Screwdriver
- USB cable

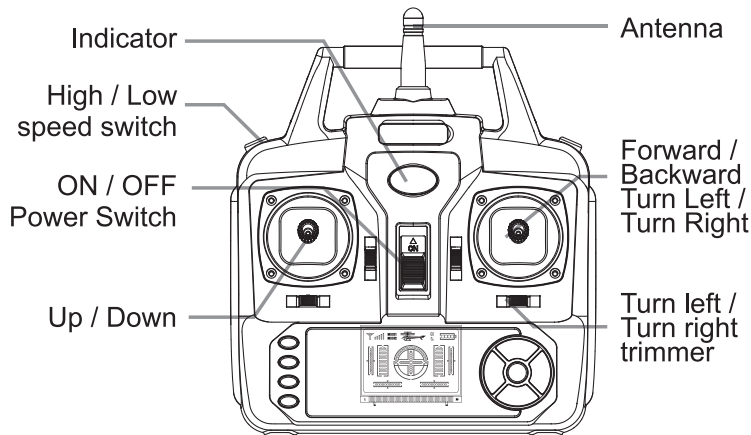


YOUR TRANSMITTER

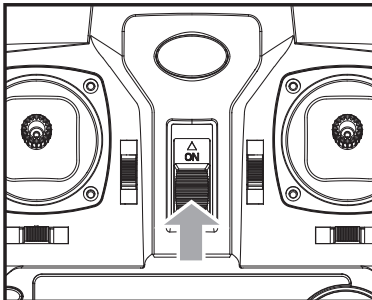


Using a small Phillips screwdriver to remove the battery cover, insert 4 x AA 1.5v batteries (not supplied) observing the correct polarity as indicated in the compartment. (+/-) Replace the battery cover and secure the screw.

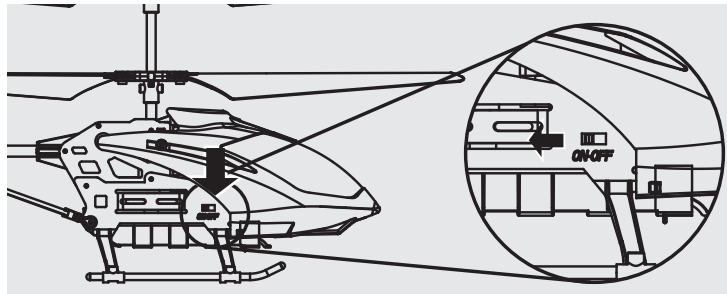
Different types of batteries as well as old and new batteries are not to be mixed.



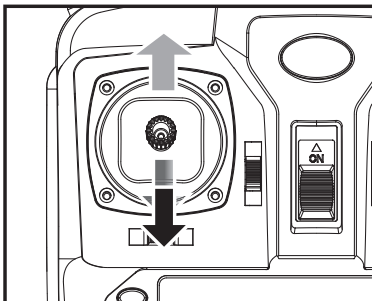
READY TO FLY YOUR HELICOPTER



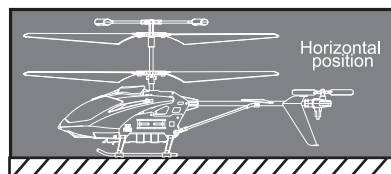
Step 1: Press the power switch to turn on the transmitter.



Step 2: Turn on your helicopter.



Step 3: Transmitter indicator blinks for about 10-20 seconds to match signal. When finish matching, it keeps light on. please push the left lever fully forwards then fully backwards to ready flight.



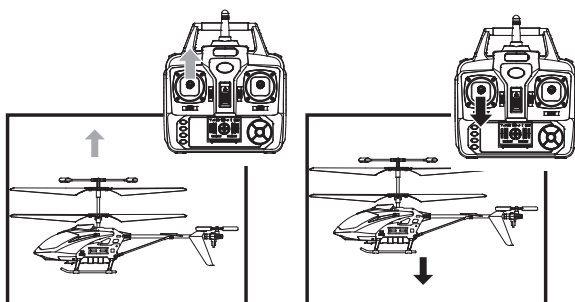
TIPS: When matching signal, keep the helicopter on horizontal position for faster matching

FLIGHT CONTROL

Hover up and down

Pushing the throttle lever forward will make the helicopter lift off.

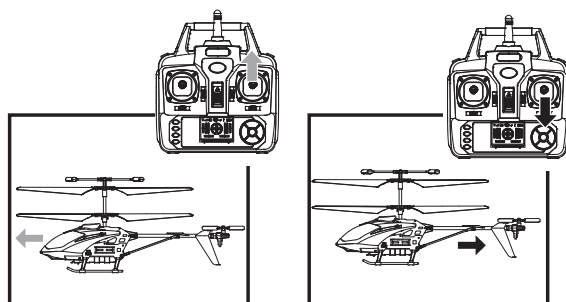
Pull back and the helicopter will descend.



Forward and backward

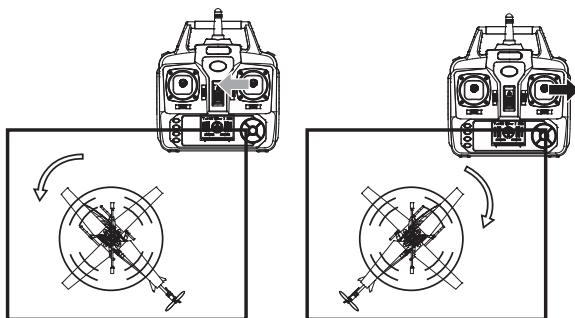
Push the control lever up and the helicopter will move forward.

Pull the lever back and the helicopter will move backwards.



Turn Left and Right

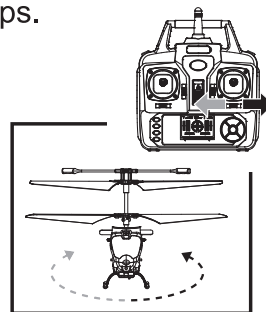
Move the control lever Left or Right to control the helicopters movement in the air. Smoother movement of the stick will help prevent sudden movements and possible loss of control.



Turn right/left calibration trim

If helicopter rotates counter-clockwise... Continually push right R/C calibration until excessive turning stops.

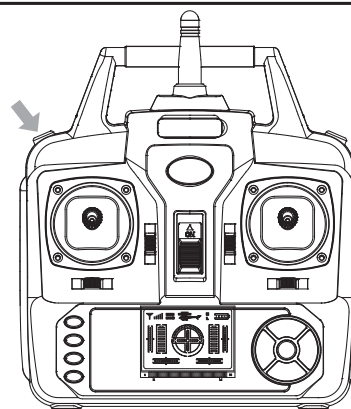
If helicopter rotates clockwise...Continually push right R/C calibration until excessive turning stops.



High/Low Speed Switch

Low speed : The factory default speed when turn on remote controller.

High speed : Turn on remote controller ,than press High/Low Speed Switch to be high speed.Press High/Low Speed Switch again to be low speed .



HELICOPTER CHARGING

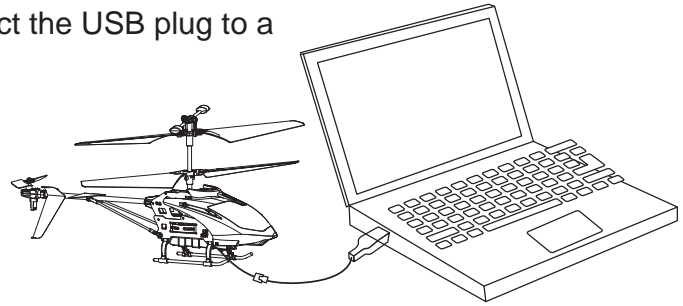
USB Charging

Take the supplied USB charger and connect the USB plug to a computer.

Connect the other end to your helicopter.

While charging the LED light in the USB plug will not show.

When charged the LED light will come on.



Charging time: about 100 minutes — Flying time: about 6 - 7 minutes!

Note: Make sure helicopter power switch to OFF position when charging.

BATTERY CAUTIONS

Keep the battery away from fire and heat sources. This could damage the battery or cause it to explode.

Keep the helicopter and battery away from water

Charging of batteries should be done by an adult.

Charge the helicopter on a hard, non flammable surface.

Never leave a charging helicopter un supervised.

GENERAL CARE

Clean the helicopter with a soft clean cloth.

Do not soak with water or use chemicals.

Store the helicopter away from sunlight or strong lighting.

Retain the original packaging for reference and storage.

Remove and disconnect any batteries while the helicopter is being stored.

Regularly check the helicopter for damages and missing parts.

Do not use if parts are damaged.

SPARE PARTS

Even the very best pilot has accidents. Please see listed below a full range of replacement parts aimed at getting you back up into the air with a minimal amount of fuss.

These parts can be ordered using the numbers below from either your original point of purchase or through a local model shop.



SYS39-01A
Red/Yellow Canopy



SYS39-01B
Green/Yellow Canopy



SYS39-02A
Yellow Tail Set



SYS39-02B
Green Tail Set



SYS39-03A
Main Blades



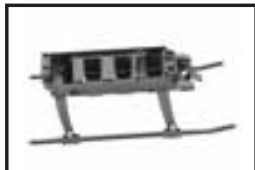
SYS39-03B
Tail Blade



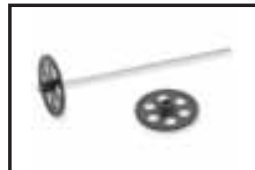
SYS39-05A
Balance Bar



SYS39-05B
Connect Buckles



SYS39-06
Skid Set



SYS39-07
Gear Set & Shaft



SYS39-11
Tail Motor Assembly



SYS39-12A
Tail Support Rods



SYS39-12B
Main Shaft Assembly



SYS39-12D
Main Shaft Base



SYS39-13A
Motor A



SYS39-13B
Motor B



SYS39-14
LiPo Battery



SYS39-16
USB Charger



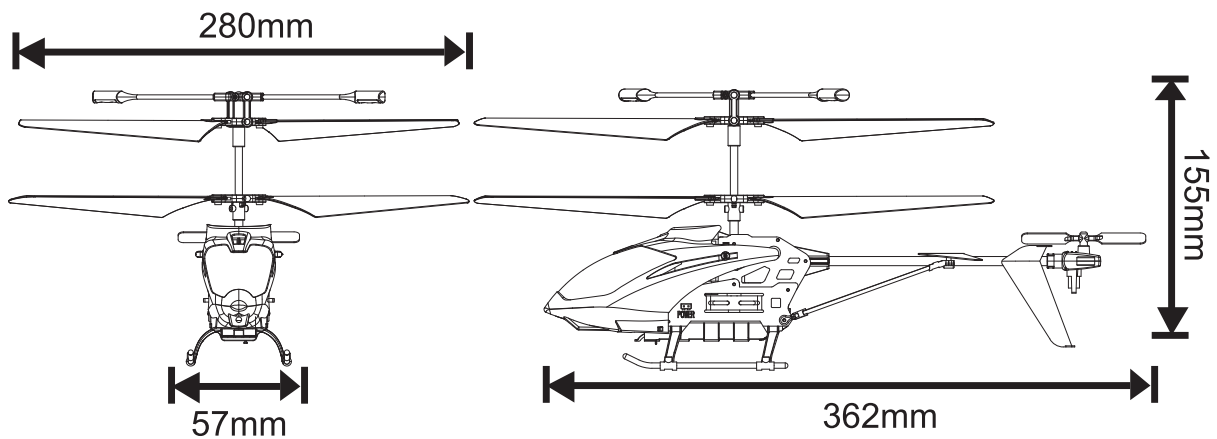
SYS39-17
Transmitter



SYS39-SCP
Spares Crash Pack

TROUBLESHOOTING

Problem	Reason	Solution
No response from the helicopter	1 - Insufficient power onboard helicopter. 2 - Insufficient power for the transmitter, power indicator keeps flashing.	1 - Re Charge the helicopters battery 2 - Replace the transmitter batteries with fresh new ones.
If the helicopter is slow to respond or difficult to manoeuvre	1. Insufficient power with the transmitter.	1. Replace the battery.



Body length: 362mm

Main blade diameter: 280mm

Body width: 57mm

Main motor code: 050

Body high: 155mm

Battery: 3.7V 500 mAh Li-poly

Specifications, colours and content are subject to change and may differ from illustrated.



Ver 1.2014



241 Green Street,
Enfield, Middlesex,
EN3 7SJ

